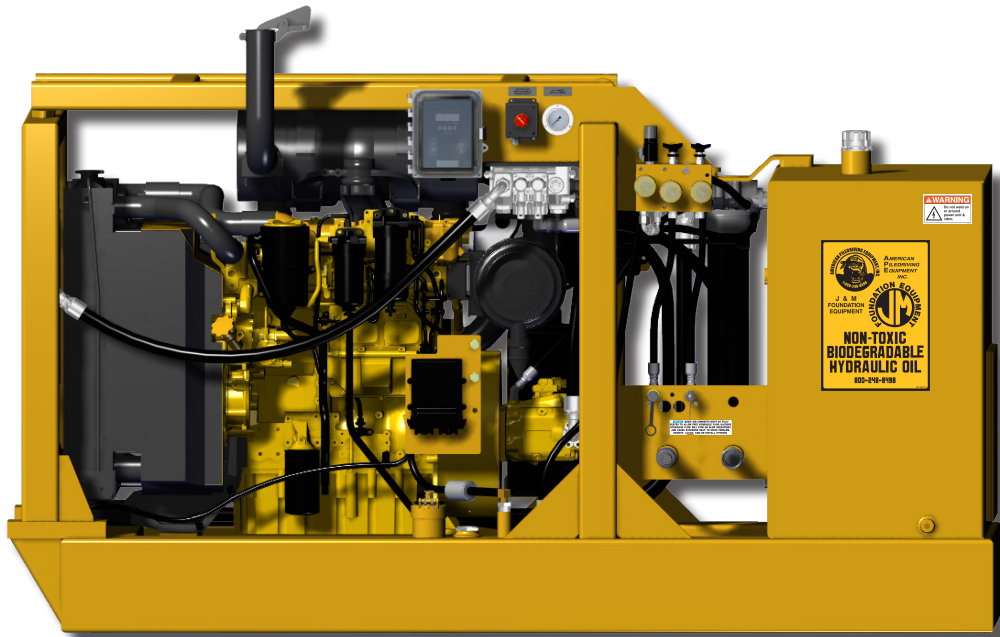




APE Model 124 Tier IV Power Unit

THE WORLD'S LARGEST PILEDRIVERS



SPECIFICATIONS	DATA
Engine Type	CAT C4.4 Tier IV Final
Horsepower Rating	124 Hp (92 KW)
Drive Pressure	0 - 2,500 Psi (172 Bar)
Drive Flow	60 Gpm (227 Lpm)
Aux Pressure	0 - 2500 PSI (172 Bar)
Aux Flow	60 Gpm (227 Lpm)
Engine Speed	0 - 2,200 Rpm
Weight	4,750 Lbs (2,155 Kg)
Hydraulic Reservoir	140 Gal (530 Ltr)
Fuel Capacity	75 Gal (284 Ltr)

*Specifications may vary due to site conditions, specific hammer conditions or product set up.
Specifications may change without notice.
Consult the factory for details on any specific product (800) 248-8498.*



WWW.AMERICANPILEDRIVING.COM

(800) 248-8498

Ape@americanpiledriving.com

Copyright © 2023 American Piledriving Equipment Inc. All Rights Reserved